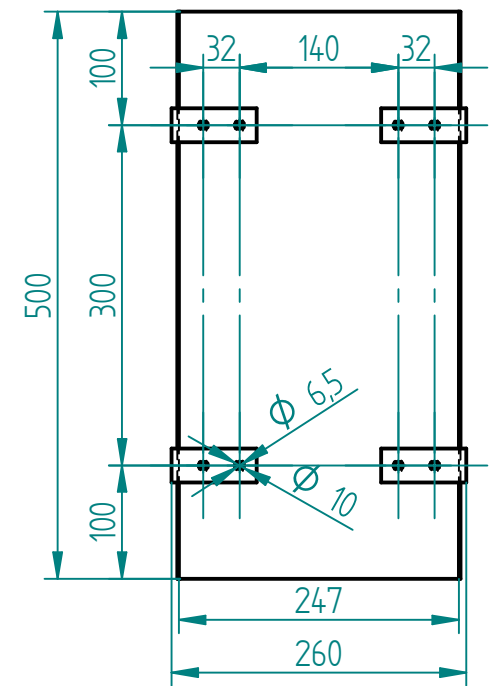
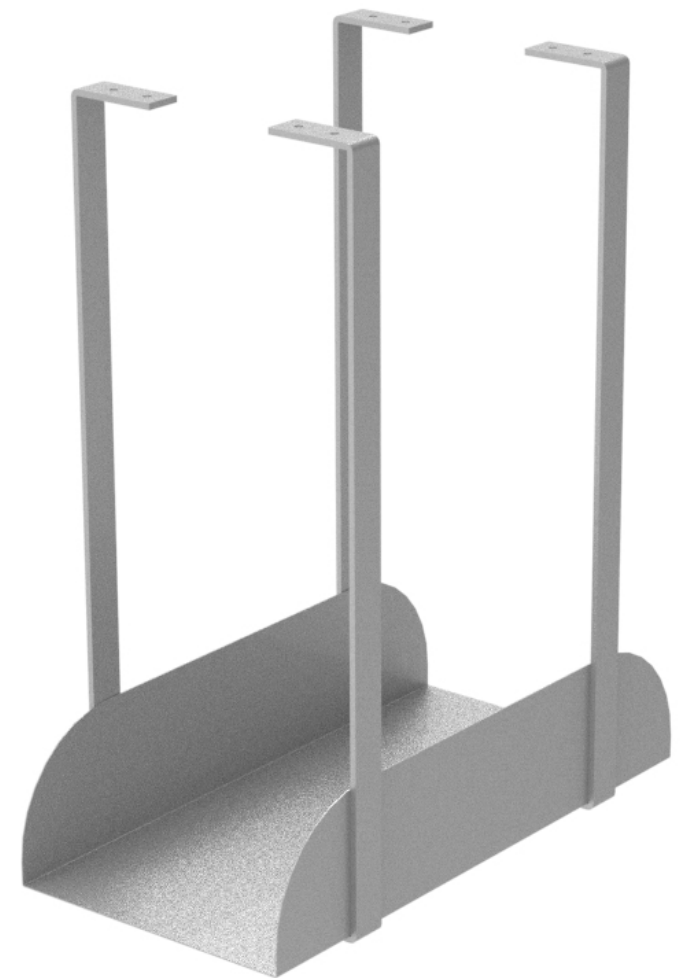
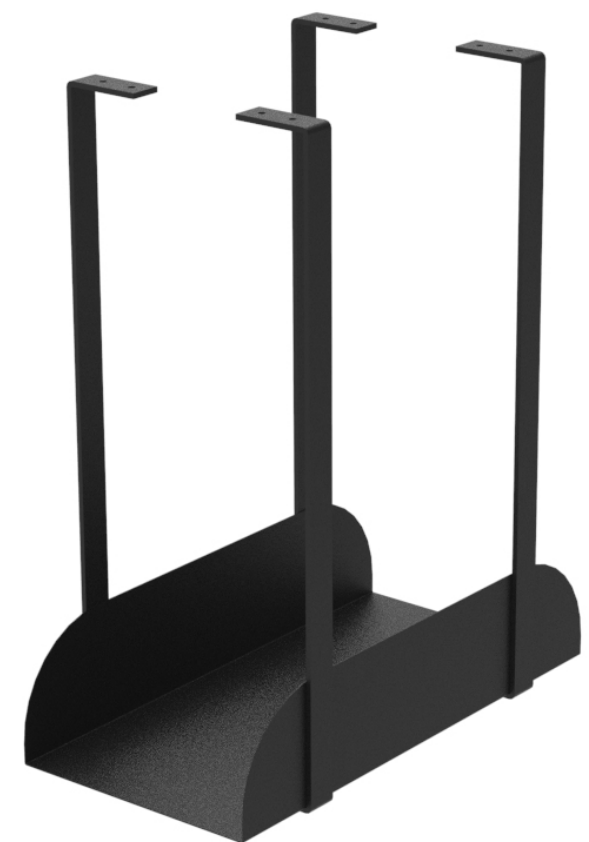
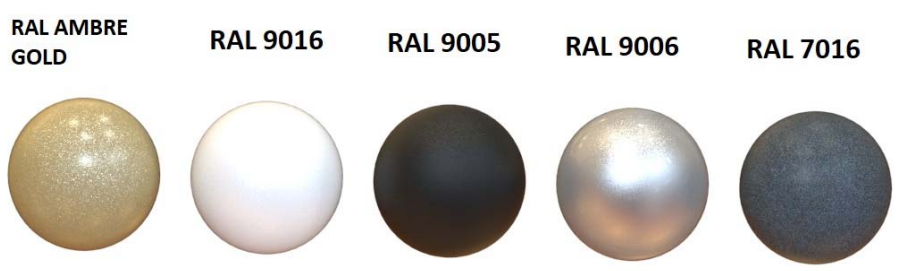


Note :
 - only metal parts included in the price
 - industrial packing on a pallet



Date : 14.9.2012.

POSTOLJE ZA RAČUNALO TIP-M5

ART.	CODE	NAME OF PRODUCT	LxBxH	KG/PCS.	COLOR NUM.	€pcs.	pcs./coli	€
		POSTOLJE ZA RAČUNALO TIP-M5	500 x 260 x 605	6,3			1 / 1	
		TOTAL €						

PROIZVODNJA METALNE I TEKSTILNE GALANTERIJE
 Hrv. branitelja 230, Stari Slatinik
 35253 Brodski Stupnik
 tel./fax: +385 (35) 426-878
 tel.: +385 (35) 426-877
 mob.: 098/340-576
 e-mail: medex@hi.htnet.hr
 www.medex.hr

OIB: 47219816385 • MB/JMBG: 1403974302137
 IBAN : HR5823400091150162523
 SWIFT: PBZGHR2X • VAT.NO.: HR47219816385